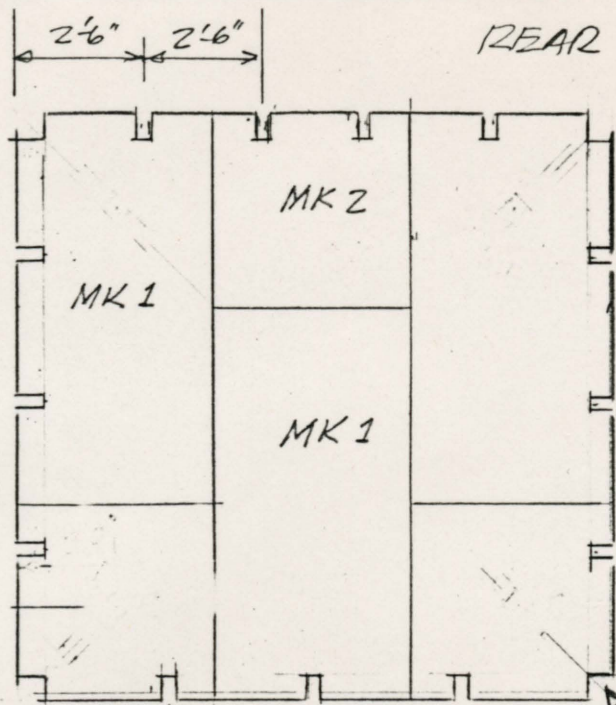


RT. VIEW



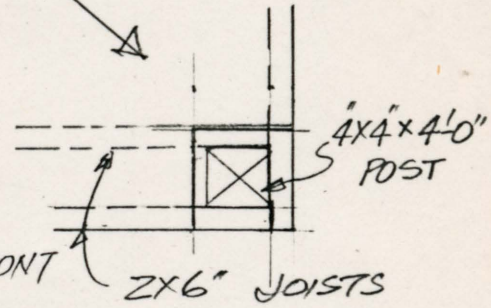
- (3) MK 1 4'-0" x 8'-0" x 3/4" PLYWOOD
- (3) MK 2 - 4'-0" x 4'-0" x 3/4" PLYWOOD

3'x6" NOTCH @ 3'0" O.C. EXCEPT @ REAR - 2'6" O.C.

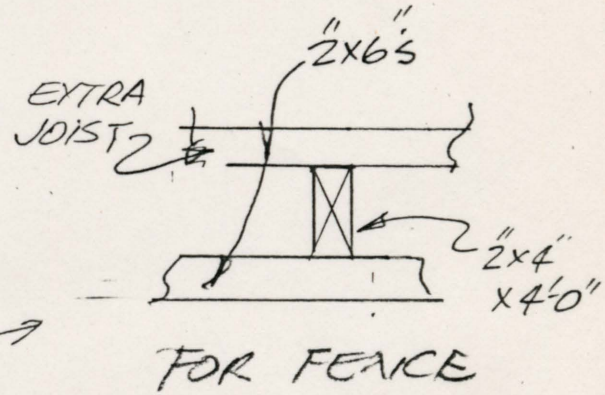
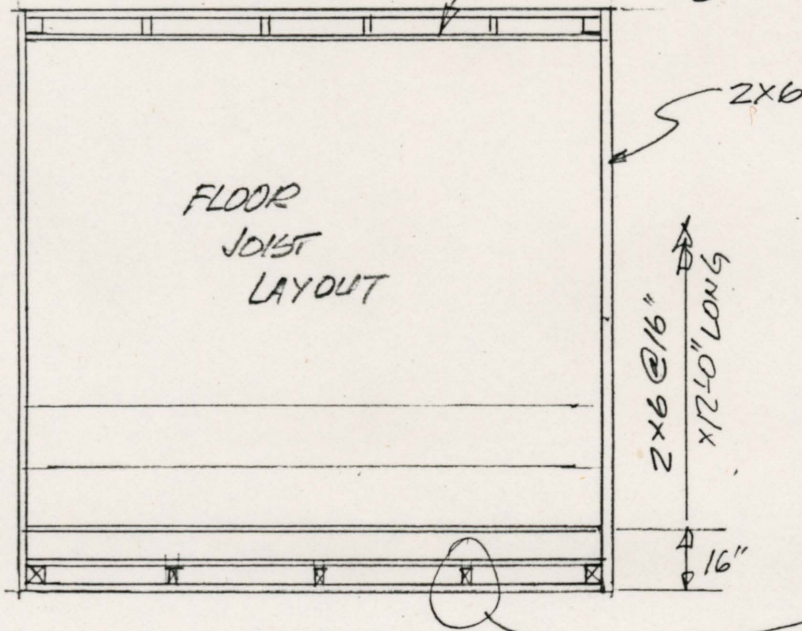
6'x6" NOTCH

PLAN OF DECK

SCALE = 1/4" = 1'-0"

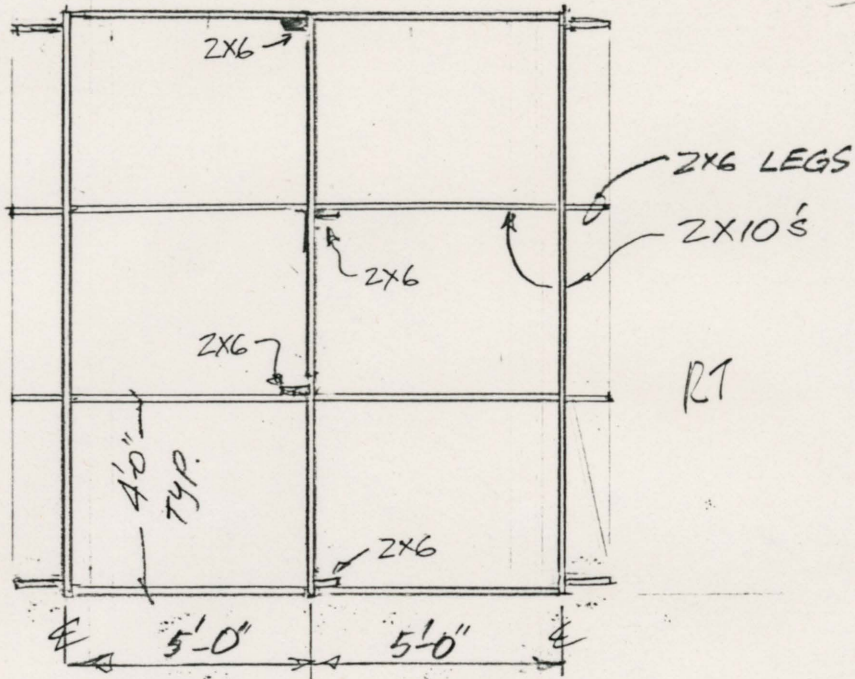


EXTRA 2'x6 @ REAR & FRONT



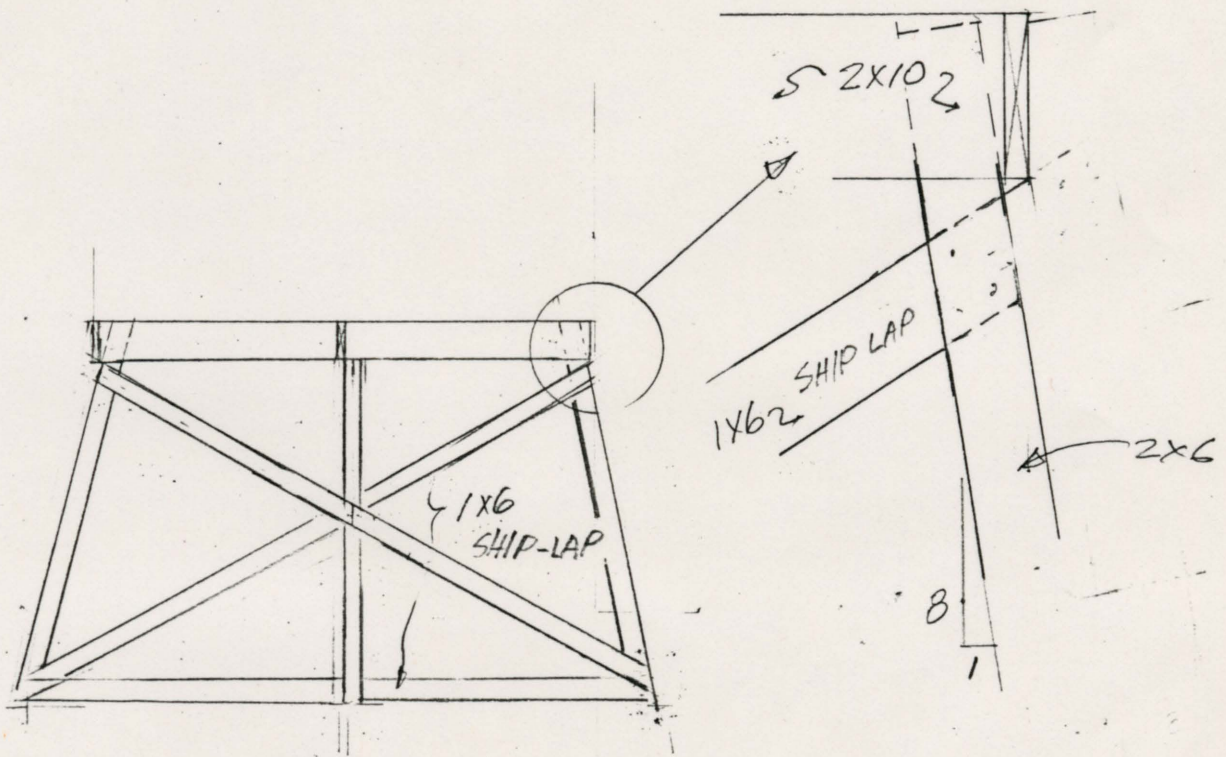
PLAN OF FLOOR JOISTS

REAR



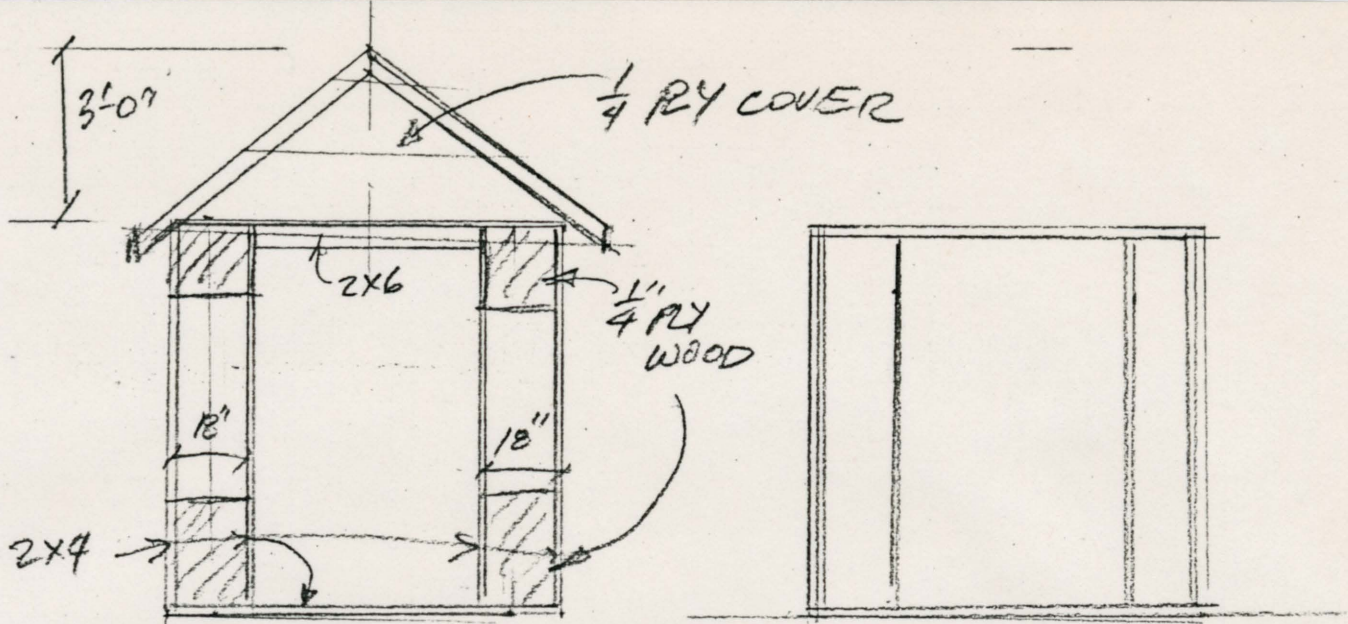
RT

FRONT



FRONT VIEW

↕
REAR



FRONT & REAR & SIDE RIGHT
 TOWER
 8'-0" x 8'-0" x 8'-0"

